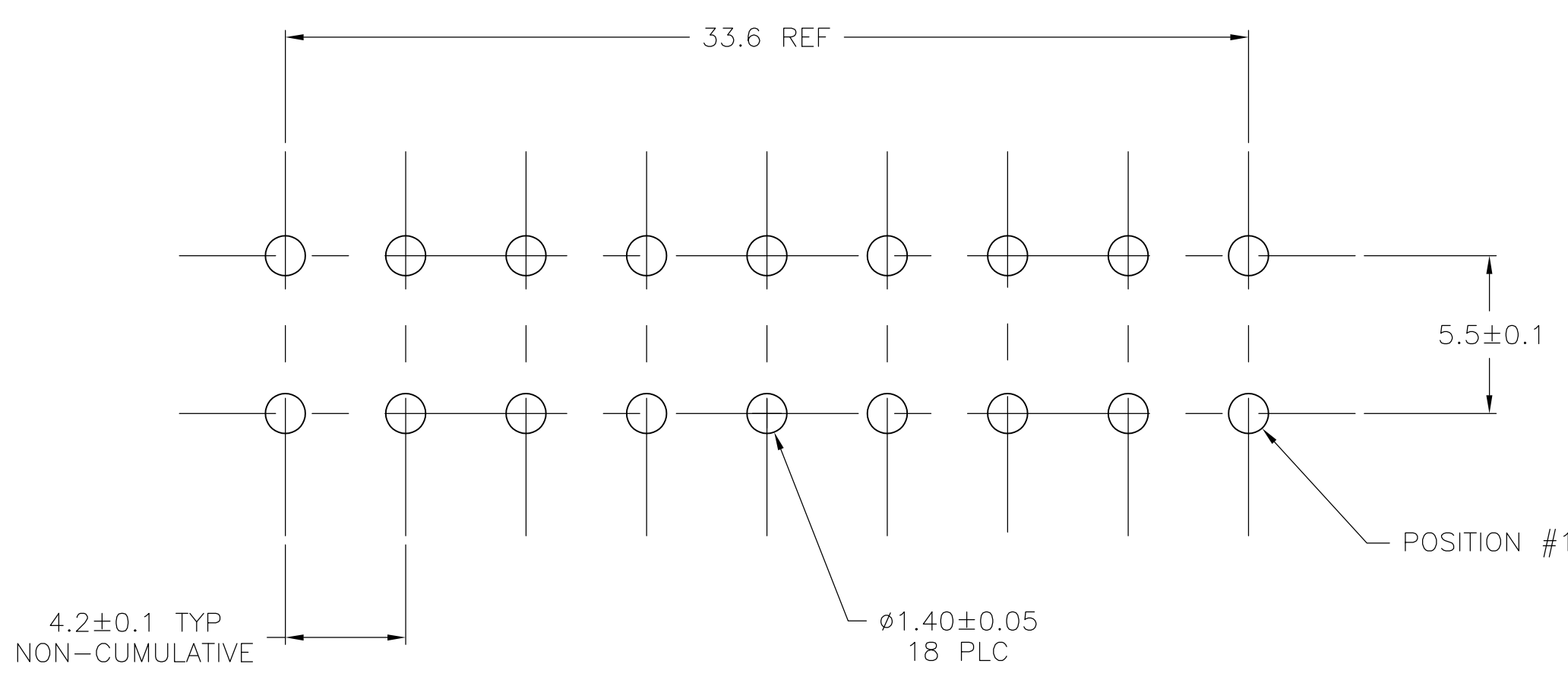
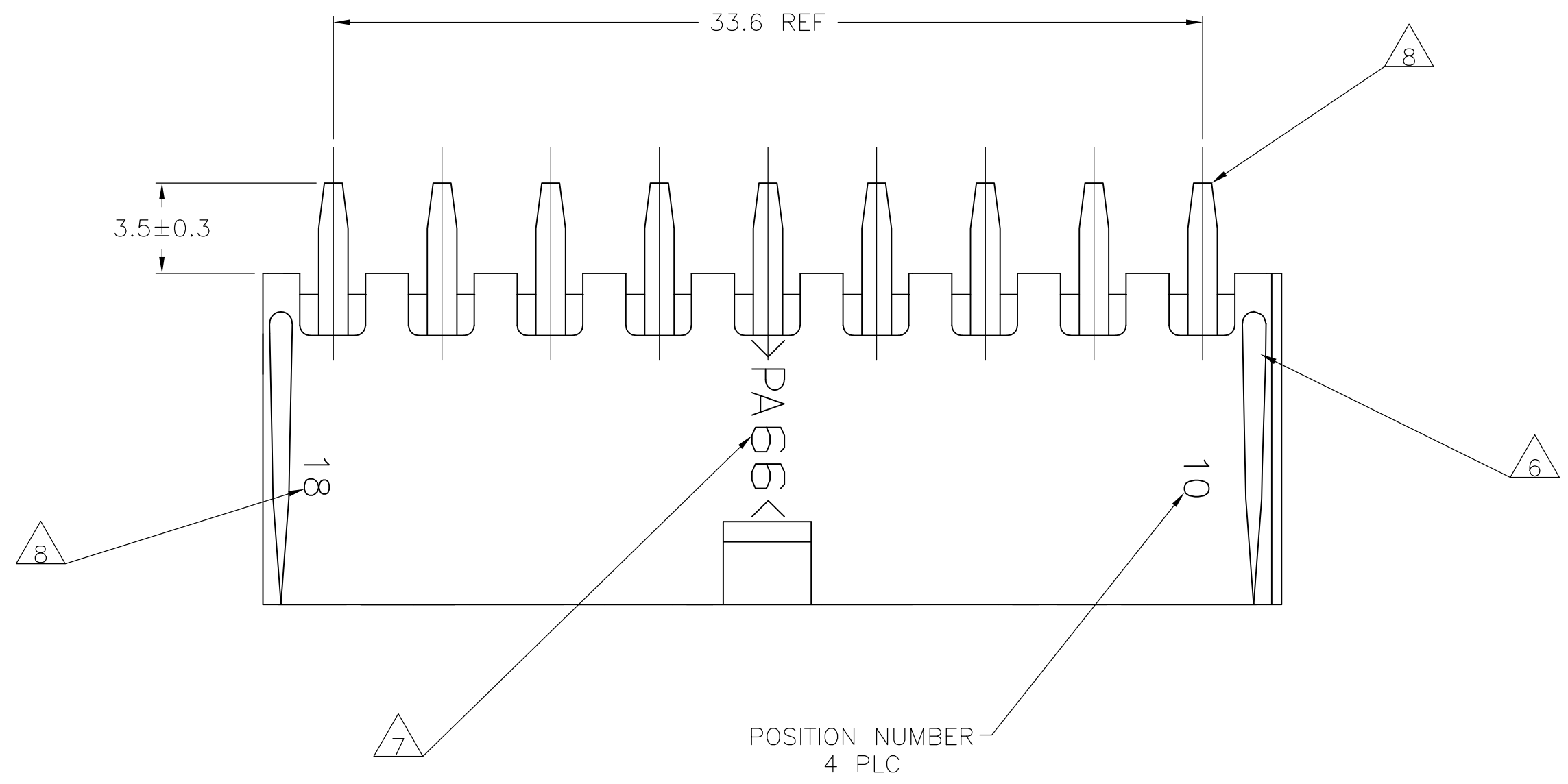
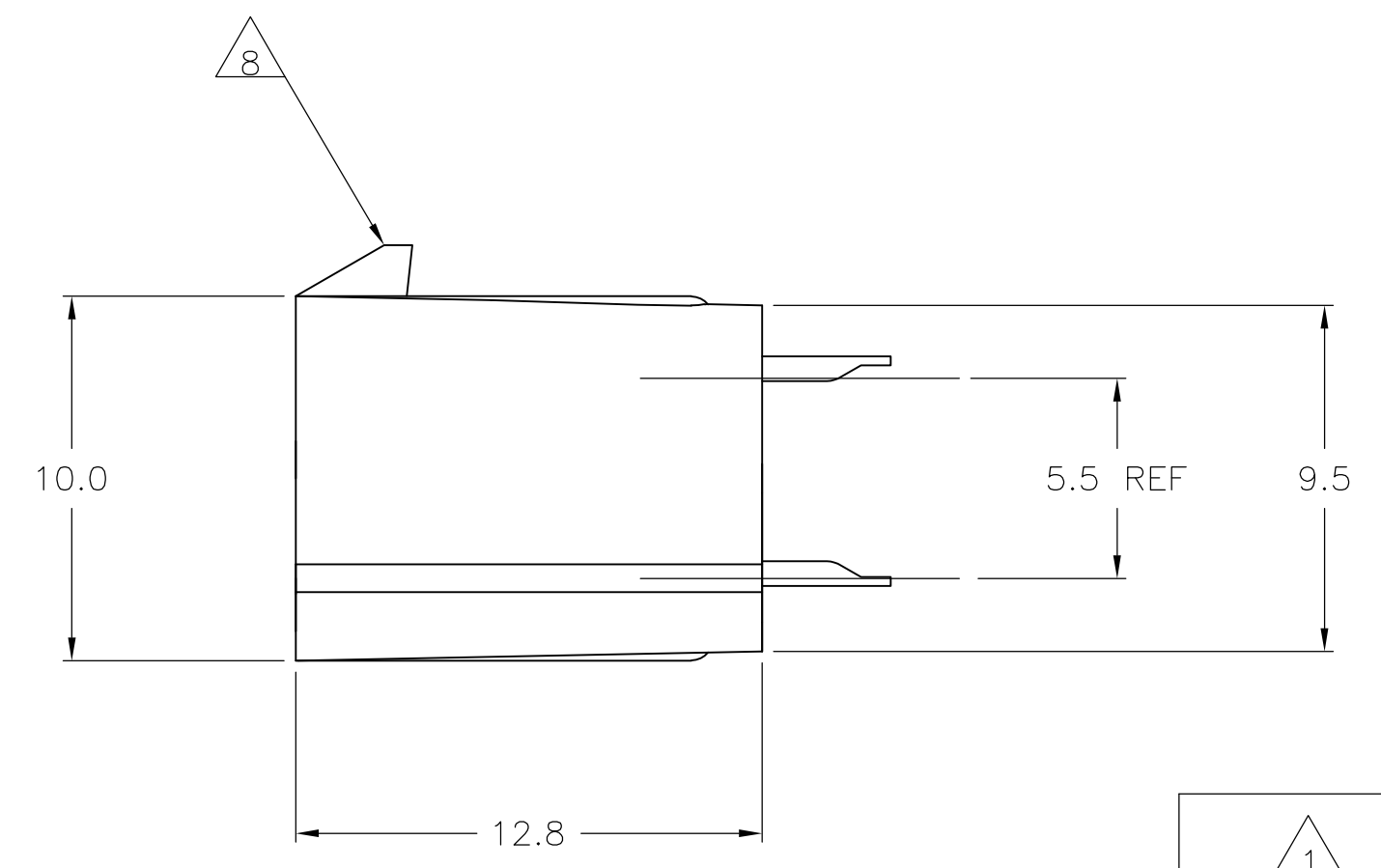
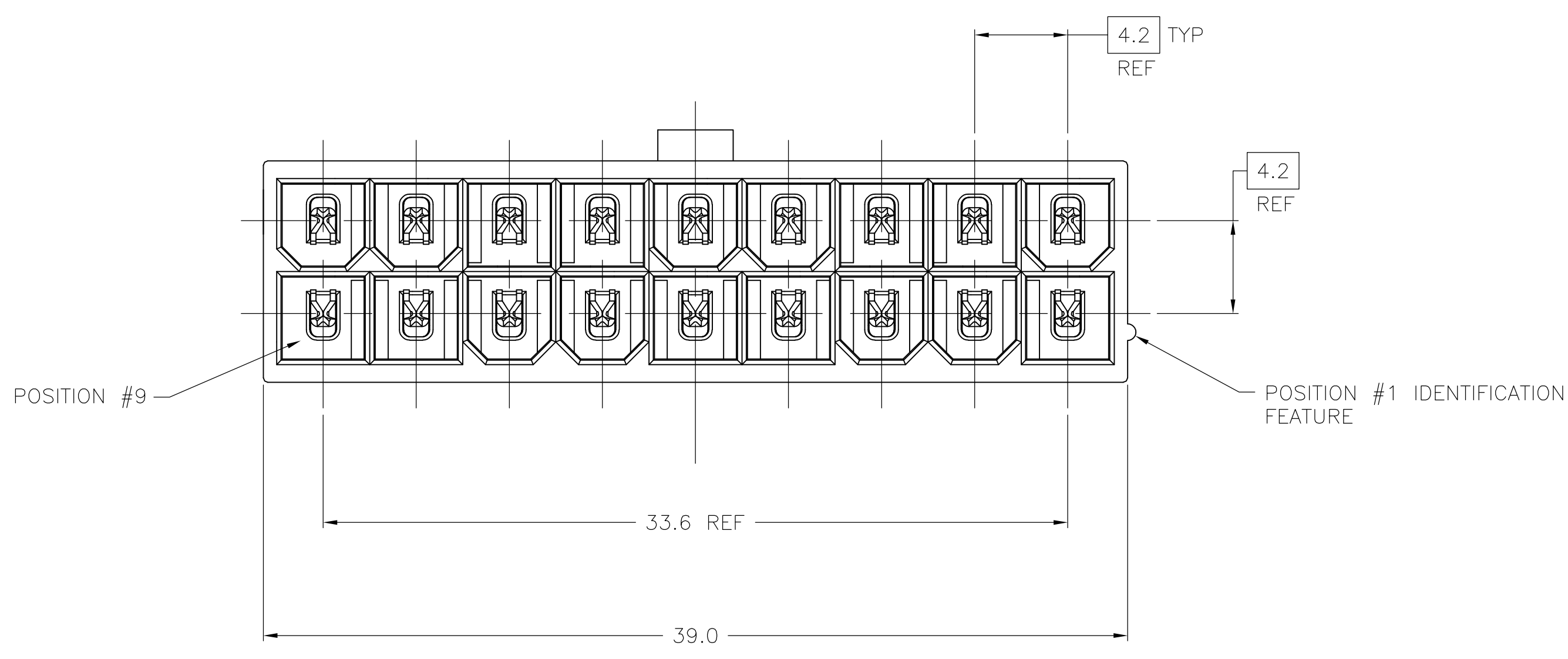


- 1 MATERIAL:
HOUSING: NYLON, UL94V-2 (COLOR - NATURAL, COLOR OF PARTS MAY VARY).
CONTACTS: 0.25 THK COPPER ALLOY.
- 2 CONTACT FINISH: 0.003 MIN THK TIN-LEAD OVER 0.00127 MIN THK NICKEL OVER ENTIRE CONTACT.
- 3 CONTACT FINISH: 0.00076 MIN THK GOLD PLATE ON PIN MATING SURFACE, 0.003 MIN THK TIN-LEAD PLATE ON SOLDER TAIL, ALL OVER 0.00127 MIN THK NICKEL BASE PLATE.
- 4 SOLDER TAIL MEETS AMP SOLDERABILITY SPECIFICATION 109-11-2.
- 5 MATES WITH SIMILARLY PLATED AMP-DUAC™ POWER CONNECTOR RECEPTACLE HOUSINGS/SOCKET CONTACTS.
- 6 RIBS ON FOUR CORNERS OPTIONAL.
- 7 AMP LOGO AND MATERIAL ID MAY BE LOCATED ON EITHER LONG SIDE OF PART.
- 8 SIZE, SHAPE OR STYLE OF THIS FEATURE MAY VARY.
- 9 CONTACT FINISH: 0.003 MIN THK TIN OVER 0.00127 MIN THK NICKEL OVER ENTIRE CONTACT.
- 10 CONTACT FINISH: 0.00076 MIN THK GOLD PLATE ON PIN MATING SURFACE, 0.003 MIN THK TIN PLATE ON SOLDER TAIL, ALL OVER 0.00127 MIN THK NICKEL BASE PLATE



RECOMMENDED MOUNTING HOLE PATTERN FOR 1.78 MAX THICK P.C. BOARD COMPONENT SIDE SHOWN



SUPERCEDED BY 1-794357-2
 SUPERCEDED BY 1-794357-1

1	10	1	1	1-794357-2
1	9	1	1	1-794357-1
1	3	1	1	794357-2
1	2	1	1	794357-1
CONTACT		HOUSING		PART NO.
MATERIAL		MATERIAL		
FINISH		COLOR		
THIS DRAWING IS A CONTROLLED DOCUMENT.				
DIMENSIONS: mm		TOLERANCES UNLESS OTHERWISE SPECIFIED:		
0 PLC ± - 1 PLC ± 0.2 2 PLC ± 0.15 3 PLC ± - 4 PLC ± - ANGLES ± 0°30'		DWN R. VESTAL 03JUN98 CHK R. SWING 03JUN98 AP'D C. CASH 03JUN98 NAME Tyco Electronics Corporation Tyco Electronics Corporation Harrisburg, Pa 17105-3608		
MATERIAL SEE TABLE		FINISH SEE TABLE		
WEIGHT		SIZE		
-		A1		
CUSTOMER DRAWING		SCALE 5:1		
SHEET 1 OF 1		REV C1		